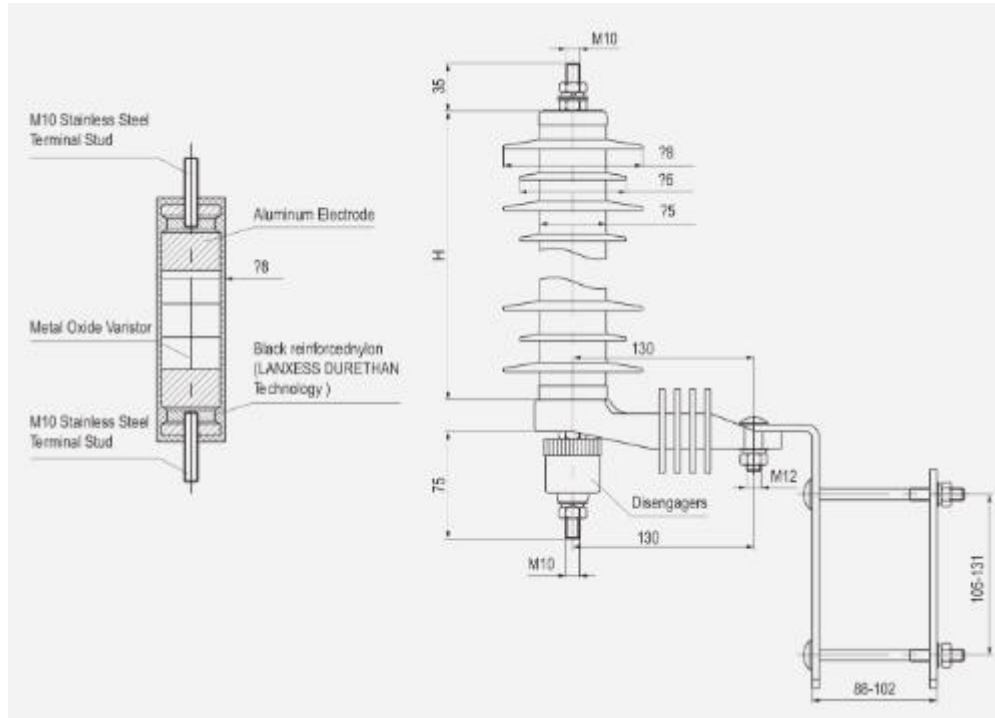


PRODUCT DESCRIPTION

ZnO lightning arrester is one kind most world advanced over-voltage protector at present, due to its core components of resistance applying ZnO and other metal oxide to make of, comparing with traditional carborundum arrester, it improves greatly V-A characteristics of resistance, increases the getting trough ability of resistance, there by it brings fundamental change to features of arrester.

Under normal working voltage, the current passing arrester only A class, when bearing over voltage, the excellent non-linear V-A features of arrester would make effect, the current passing through the arrester increase high to thousands of Ampere instant, the arrester is under getting through state, to release over-voltage energy, therefore it effective limits the damage to power transmission equipments due to over voltage.



PRODUCT PARAMETER

| Model Number | MOA Rated voltage (KVrms) | MCOV KV(rms) | Current impulse Residual Voltage | | | 2ms Rectangular current impulse withstand A(crest) | 4/10μs high current impulse withstand KA(crest) |
|--------------|----------------------------|--------------|--|--|---|--|---|
| | | | 1/4μsLightning current impulse KV(crest) | 8/20μs Lightning current impulse KV(crest) | 30/60μs Switching current impulse KV(crest) | | |
| YH10W-3 | 3 | 2.55 | 11.3 | 9 | 8.9 | 150 | 65 |
| YH10W-6 | 6 | 5.1 | 22.6 | 18 | 16.8 | 150 | 65 |
| YH10W-9 | 9 | 7.65 | 33.7 | 27 | 23.8 | 150 | 65 |
| YH10W-10 | 10 | 8.4 | 36 | 30 | 23 | 150 | 65 |
| YH10W-11 | 11 | 9.4 | 40 | 33 | 30 | 150 | 65 |
| YH10W-12 | 12 | 10.2 | 42.2 | 36 | 27 | 150 | 65 |
| YH10W-15 | 15 | 12.7 | 51 | 45 | 38.5 | 150 | 65 |
| YH10W-18 | 18 | 15.3 | 61.5 | 54 | 46.2 | 150 | 65 |
| YH10W-21 | 21 | 17 | 71.8 | 63 | 54.2 | 150 | 65 |
| YH10W-24 | 24 | 19.5 | 82 | 72 | 62 | 150 | 65 |
| YH10W-27 | 27 | 22 | 92 | 81 | 69.8 | 150 | 65 |
| YH10W-30 | 30 | 24.4 | 102 | 90 | 79 | 150 | 65 |
| YH10W-33 | 33 | 27.5 | 112 | 99 | 86.7 | 150 | 65 |
| YH10W-36 | 36 | 29 | 123 | 108 | 92.4 | 150 | 65 |

